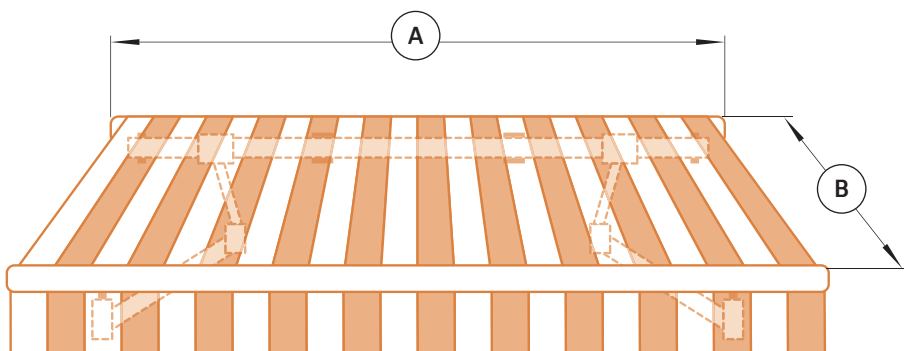


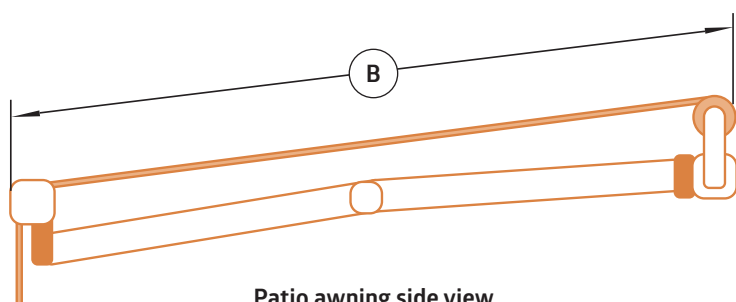
Patio awnings measuring instructions

Long and failure-free operation of a window shutter depends not only its high quality but also on correct fit and installation. To make the cover fit perfectly, the chosen place needs to be correctly and carefully measured.

You need to strictly follow the below supportive drawing:



Patio awning front view



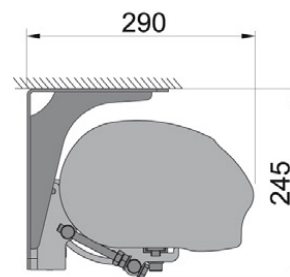
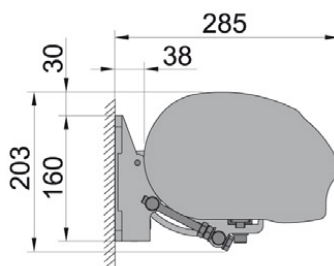
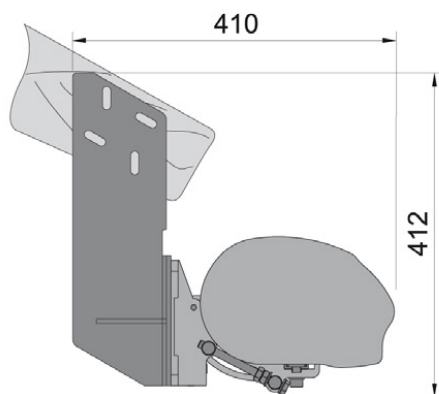
Patio awning side view

A - WIDTH OF THE AWNING

B - AWNING PROJECTION

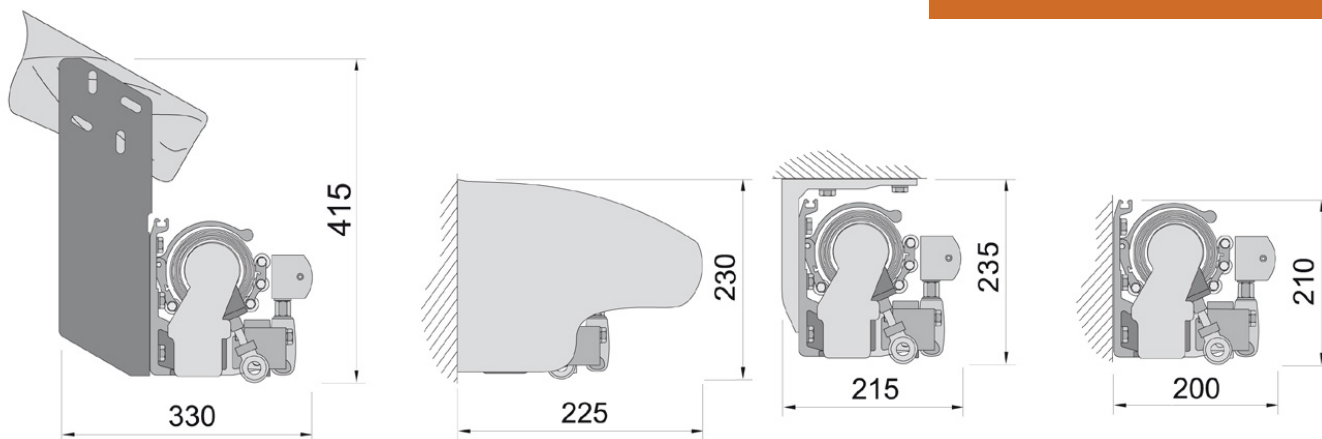
Projection of the awnings it depends on the angle inclination. Otherwise the distance from the end of the valance to the building wall at an angle of inclination about 4 degrees. In most cases the angle the slope is greater (recommended angle slope for the correct drainage of rain is 14 degrees)

Dimensions

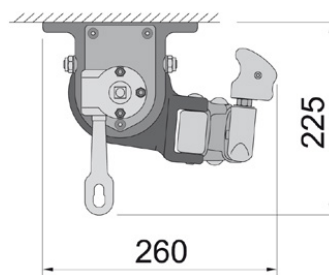
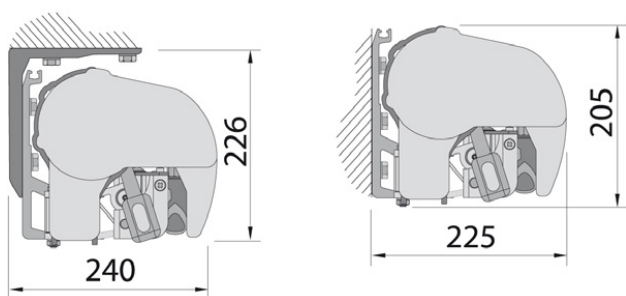
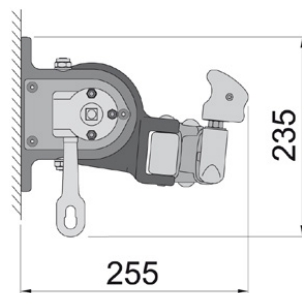
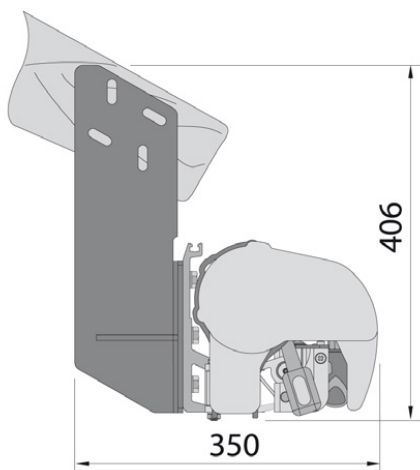


Patio awning PREMIUM in cassette

** All dimensions must be entered in millimeters*



Patio awning PREMIUM without cassette



Patio awning ECO in cassette

Patio awning ECO without cassette