



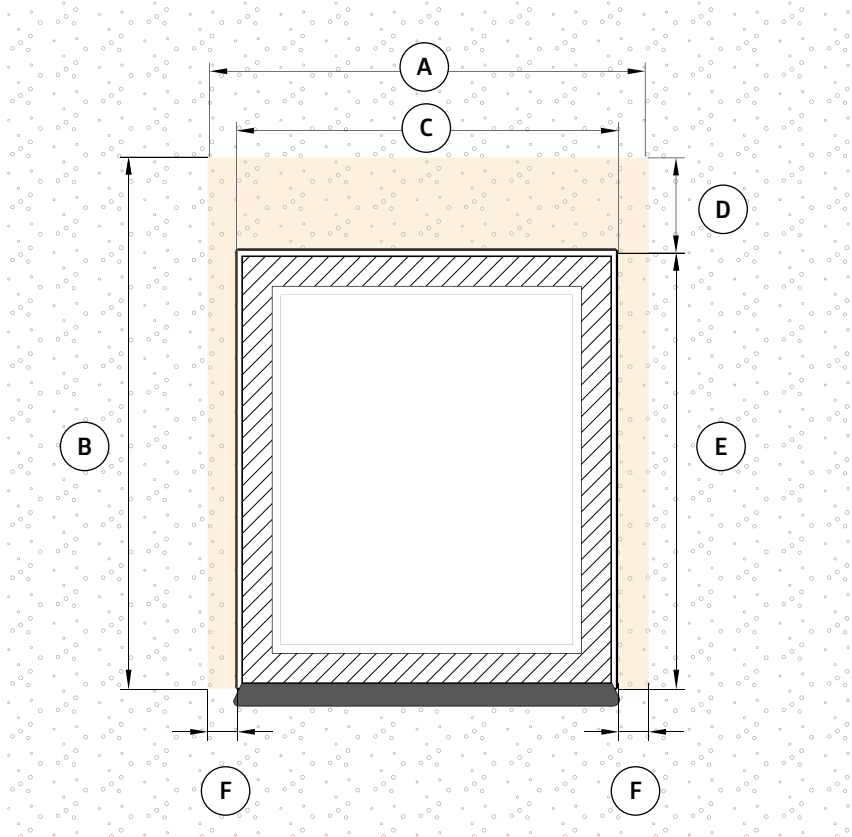
Dimensioning instructions for **external roller blinds**



SK, SK+MKT

External roller blind installed on wall

A roller blind installed on a facade, with straight SK, SK+MKT guides (rolled up), is intended for a window opening in external walls of buildings, applied both on the building construction stage as well as afterwards.



1. A window recess seen from the front

A - BOX WIDTH

(This dimension must be entered into the "width" field in our configurator)

Total width of the roller blind together with guides.

B - ROLLER BLIND HEIGHT

(This dimension must be entered into the "width" field in our configurator)

Total height of the roller blind together with guides.

C - WINDOW RECESS WIDTH

If the window recess width is not the same in all spots, the lowest recess dimension should be assumed.

D - BOX HEIGHT

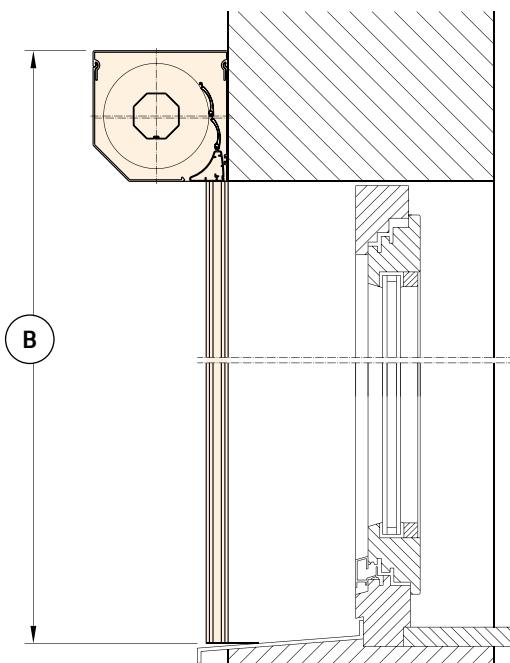
It is the box height without the guides. It depends on the total measurement of the roller blind, and its dimensions fluctuate between 139 mm - 207 mm, see the table below "boxes dimensions"

E - WINDOW RECESS HEIGHT

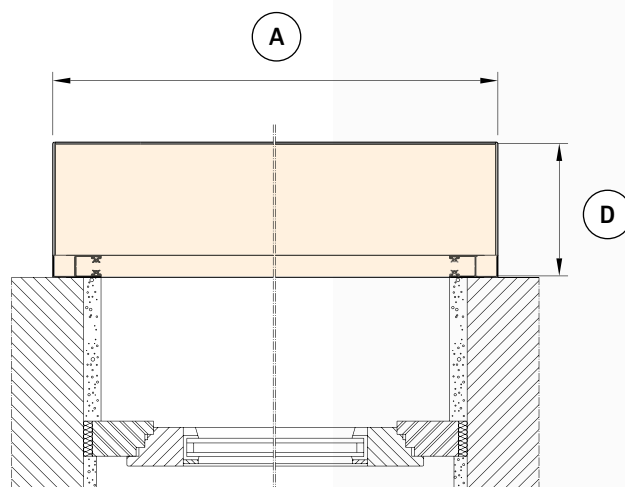
If the window recess height is not the same in all spots, the lowest recess dimension should be assumed.

F - GUIDE WIDTH

All models of guides have the same width - 53 mm.



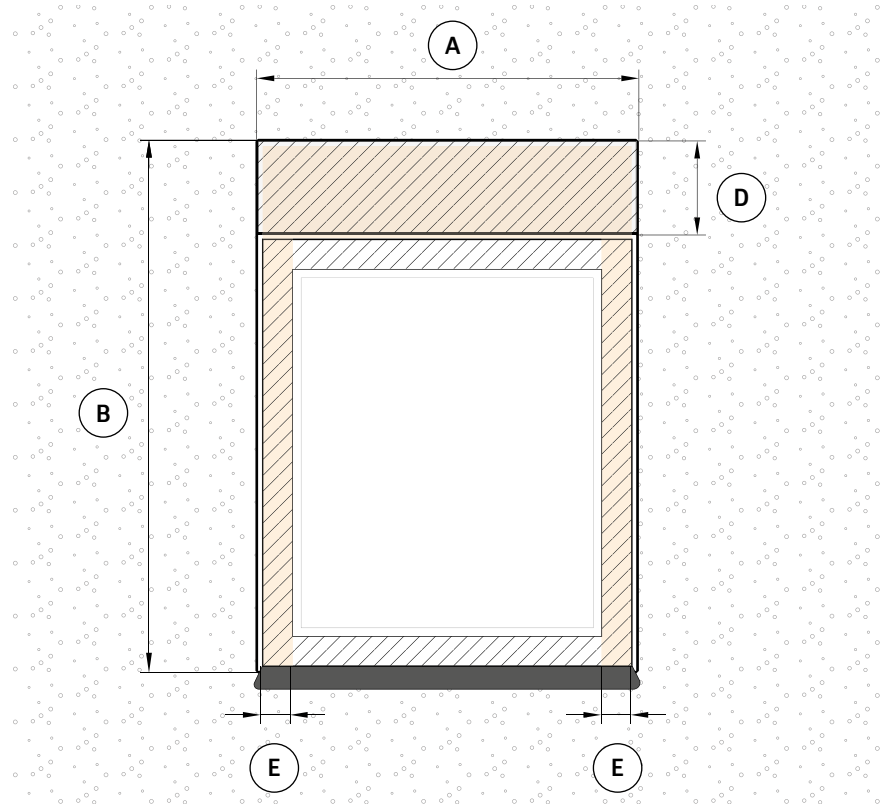
2. Window recesses seen from the side



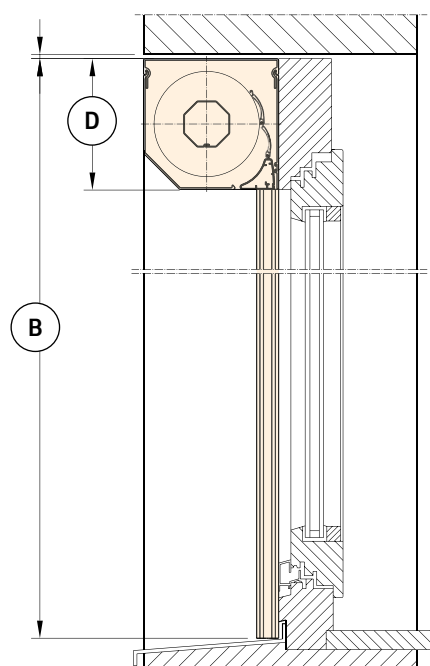
3. A window recess seen from the top

External roller blind installed in window recess

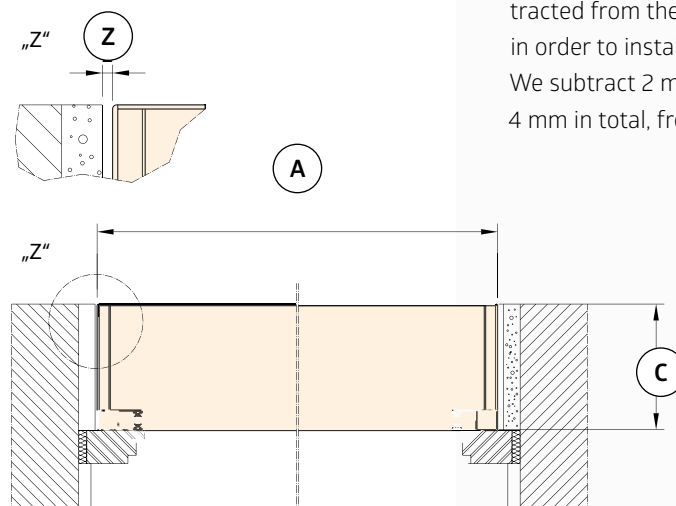
A roller blind installed in a window recess, with angular or straight SK, SK+MKT guides (rolled up), is intended for a window opening in window recesses of buildings, applied both on the building construction stage as well as afterwards.



1. A window recess seen from the front



2. Window recesses seen from the side



3. A window recess seen from the top

A - WINDOW RECESS WIDTH

(This dimension must be "width" field in our configurator, considering the distance Z) If the recess width is not the same in all spots, the lowest dimension of the recess should be assumed.

B - WINDOW RECESS HEIGHT

(This dimension must be entered into the "width" field in our configurator) If the recess height is not the same in all spots, the lowest dimension of the recess should be assumed.

C - WINDOW RECESS DEPTH

The window recess depth is a dimension that needs to be recognized while selecting the box dimensions, as they are between 139 mm and 207 mm, see the table below "boxes dimensions"

D - BOX HEIGHT

It is the box height without the guides. It depends on the total measurement of the roller blind, and its dimensions fluctuate between 139 mm - 207 mm, see the table below "boxes dimensions"

E - GUIDE WIDTH

All models of guides have the same width - 53 mm.

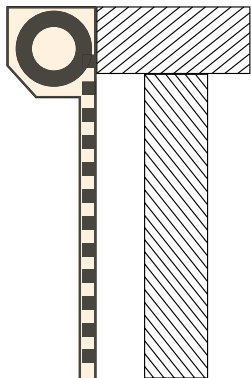
Z - DISTANCE

It is the distance that needs to be subtracted from the window recess width in order to install the roller blind freely. We subtract 2 mm from each side, 4 mm in total, from the recess width.

Type of external roller blinds

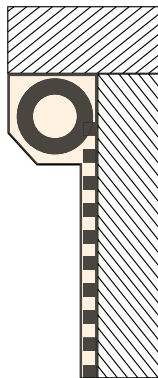
TYPE A

in a recess, left



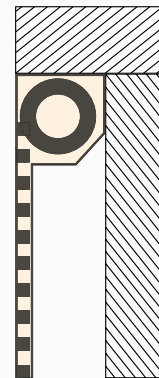
TYPE B

in a recess, left



TYPE C

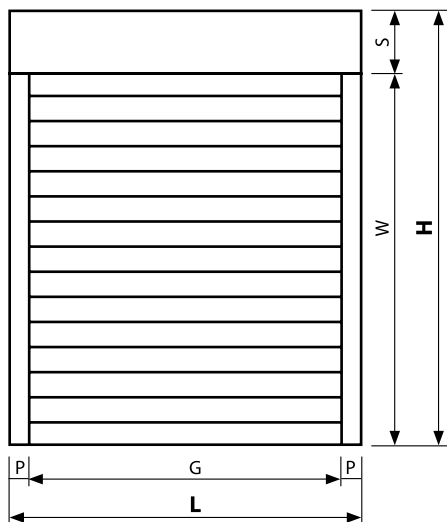
in a recess, right



Dimensioning of a roller blind regarding the installation manner

TYPE A

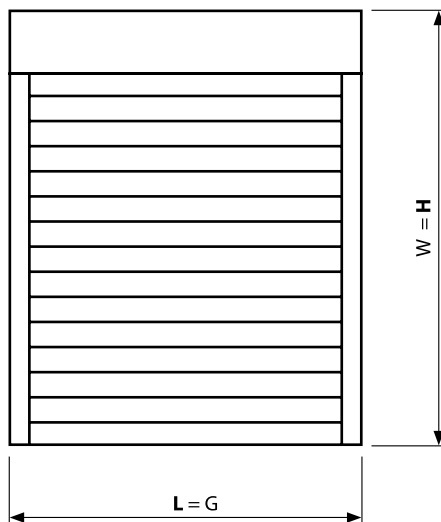
A roller installed on a facade, straight guides.



roller blind width: $L = G + (2 \times P)$
roller blind height: $H = W + S$

TYPE B AND C

A roller installed in a window recess, angular or straight guides.



roller blind width: $L = G$
roller blind height: $H = W$

L - TOTAL WIDTH OF THE ROLLER BLIND

G - WINDOW RECESS WIDTH P - GUIDE WIDTH

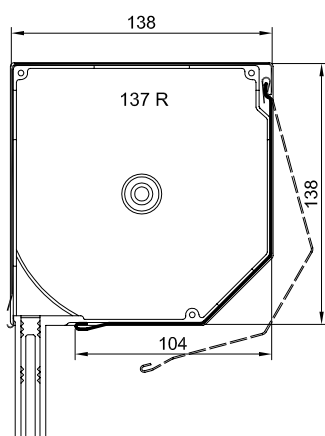
(regarding the applied kind of guides - see types of guides)

H - TOTAL HEIGHT OF THE ROLLER BLIND W - WINDOW RECESS HEIGHT

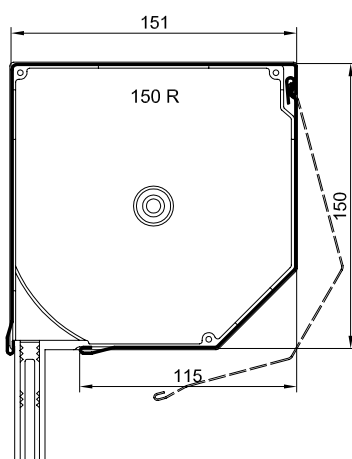
S - ROLLER BLIND BOX HEIGHT

If the window recess width and height is not the same in all spots, the lowest recess dimension should be assumed, or the opening should be adjusted accordingly.

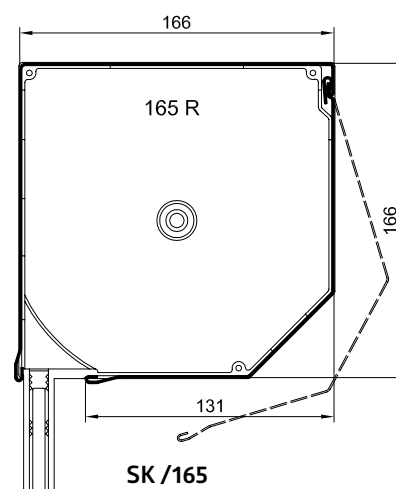
Side boxes and covers



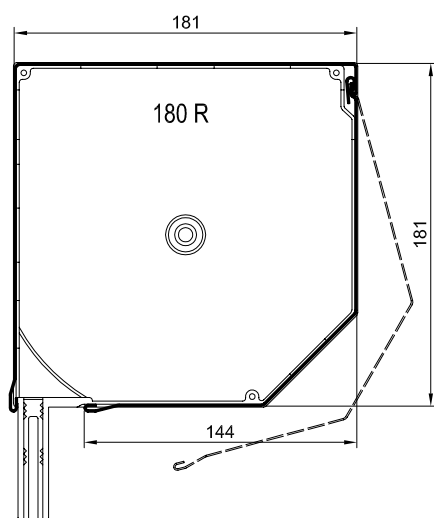
SK /137



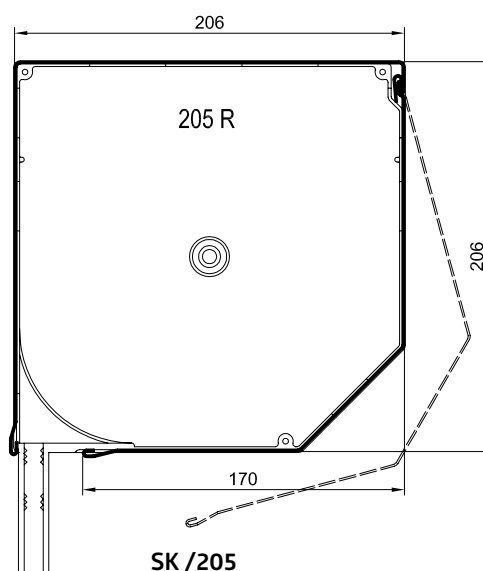
SK /150



SK /165



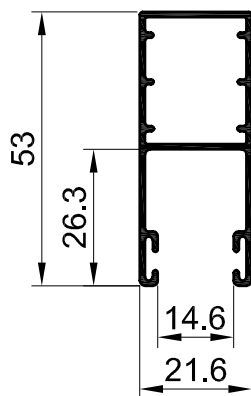
SK /180



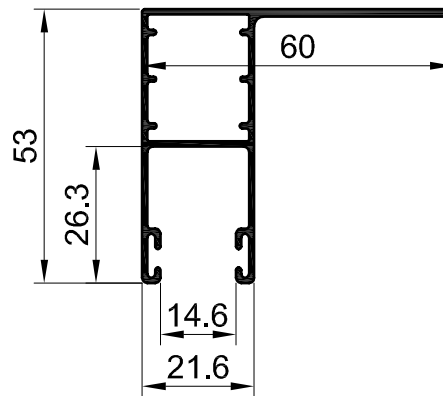
SK /205

Maximum dimensions of the boxes

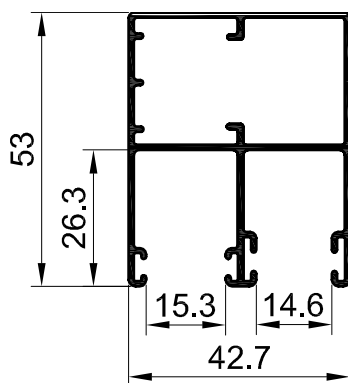
			TOTAL HEIGHT OF THE ROLLER BLIND FOR THE PA39 PROFILE		
Box type	Box height	Box width	SK roller blind	SK roller blind with a motor	SK+MKT roller blind
137	139 mm	137 mm	to 1560 mm	to 1440 mm	-
150	153 mm	150 mm	to 1960 mm	to 1800 mm	to 1100 mm
165	167 mm	165 mm	to 2390 mm	to 2280 mm	to 1500 mm
180	183 mm	180 mm	to 2950 mm	to 2790 mm	to 2300 mm
205	207 mm	205 mm	to 4320 mm	to 4050 mm	to 2400 mm



PP 53
STRAIGHT GUIDE

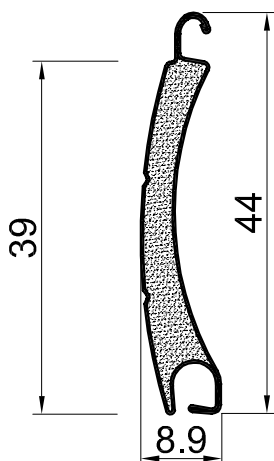


PK 53
ANGULAR GUIDE

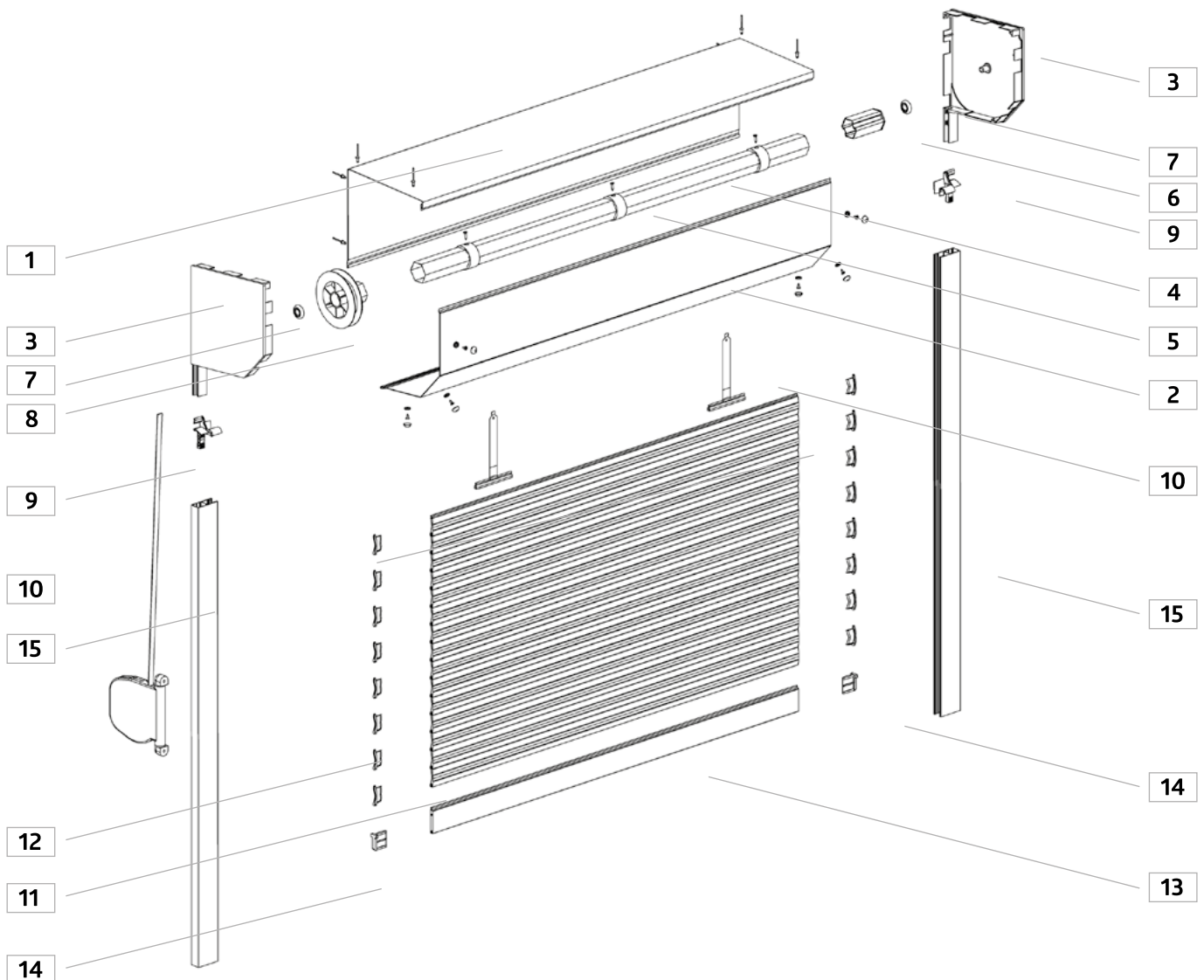


PPDO 53
DOUBLE GUIDE

PA39 profile



Components of the **external roller blind**



1. SK / 11 ROLLER BLIND BOX, TOP
2. SK / 21 ROLLER BLIND BOX, BOTTOM
3. BS 45 SIDE COVER FOR THE BOX
4. OCTAGONAL PIPE
5. ADAPTING RING
6. HOLDER
7. BEARING
8. WINDING WHEEL
9. SLIDER FOR FEATHERS IN A GUIDE

10. HANGER
11. ROLLER BLIND CURTAIN FROM ALUMINIUM PROFILE
12. PROFILE PLUG
13. BOTTOM BOARD
14. BOTTOM BOARD PLUG
15. GUIDE